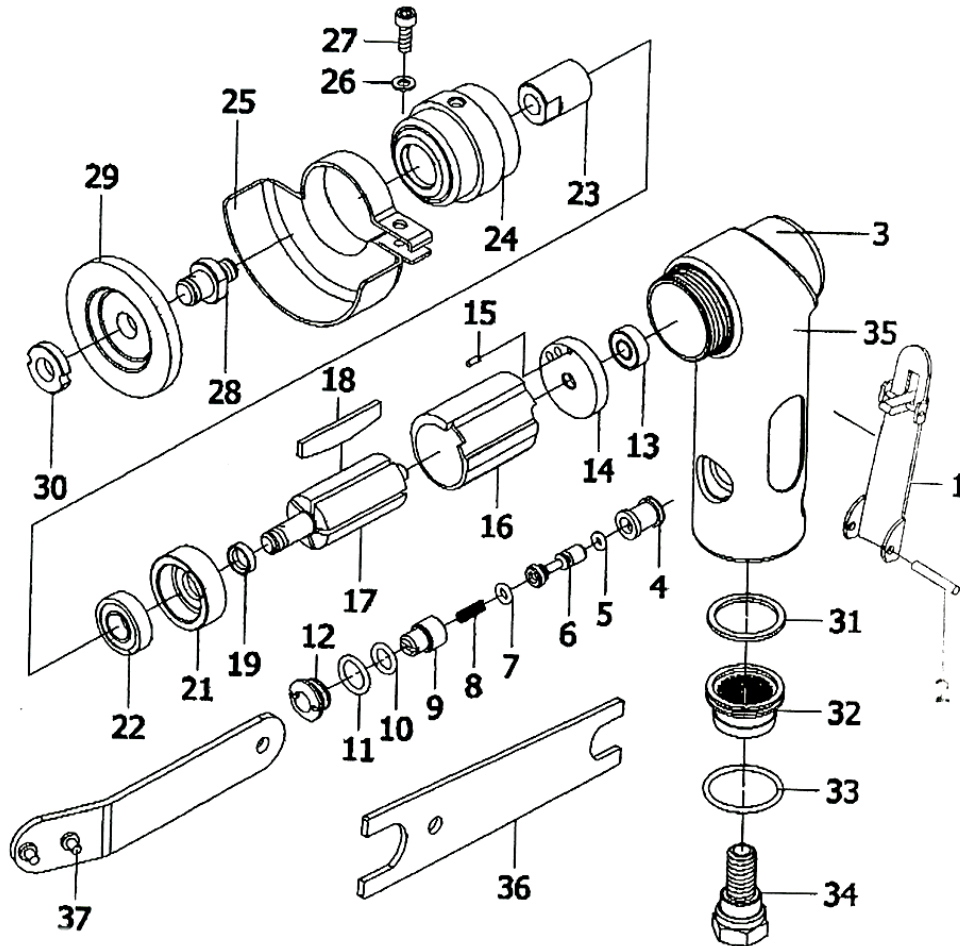


GP-0574

2" ANGLE GRINDER



PARTS DESCRIPTION

<u>PARTS NO.</u>	<u>DESCRIPTION</u>
01.	THROTTLE LEVER
02.	SPRING PIN
03.	HOUSING
04.	VALVE BUSHING
05.	O-RING
06.	VALVE STEM
07.	O-RING
08.	VALVE SPRING
09.	AIR CONTROLLER
10.	O-RING
11.	O-RING
12.	VALVE SCREW
13.	BEARING
14.	END PLATE
15.	PIN
16.	CYLINDER
17.	ROTOR
18.	BLADE (5)

PARTS DESCRIPTION

<u>PARTS NO.</u>	<u>DESCRIPTION</u>
19.	COLLAR
20.	FRONT PLATE
21.	BEARING
22.	BALANCER
23.	LOOK RING
24.	DISC COVER
25.	WASHER
26.	SCREW
27.	ADAPTER
28.	GRINDSTONE
29.	GRINDSTONE NUT
30.	SPONGE
31.	EXHAUST SLEEVE
32.	O-RING
33.	AIR INLET
34.	HOUSING COVER
35.	SPANNER
36.	PIN SPANNER